


BW/BWJ(T)

Stainless steel pump



Light-type Stainless Steel Horizontal Multistage Centrifugal Pump

Product Introduction

BW,BWJ(T) Light-type stainless steel horizontal multistage centrifugal pumps are non-self priming pumps absorbing the advanced technology from home and abroad.They are classified into two kinds: cylinder type and sectional type. They adopt horizontal motor and alloy mechanical seal, which makes the replacement more convenient. The flow passage component is made of stainless steel 304, applicable for light-corrosion medium, Relying on the high efficiency, energy saving performance, reliable quality, wide usable range, our products receive the great popularity after being launched.

Feature

The premium hydraulic model and advanced workmanship greatly improve the pumps' performance and extend the service life.
Adopting hard alloy and fluorine rubber for the mechanical seal, which ensures the pumps' reliable operation and endures high temperature of transmission medium.
As the flow passage component of pump is stamped and welded by stainless steel plate, which is suitable for slightly aggressive liquids.
We provide intelligent protector to avoid dry running, default phase and over loading of the pump to meet customers' demand.
The motor is with lengthening shaft, axial water inlet and radial water outlet.

Working Conditions

Temperature range of medium: Normal type 0°C+68°C, hot water type 0°C+120°C
Maximum ambient temperature: +40°C
The maximum working pressure: 10 bar
When the density or viscosity of the transmission medium exceeds that of water, it is necessary to select a driving motor of high-power.

Application

Air conditioner system, Cooling system, Industrial cleansing, Water processing(Water purification), Aquaculture, Fertilization/measuring system, Environmental application, other special applications.



Transmission Medium

Thin and clean non-flammable and non-explosive liquid without solid particle or fibres.

Mineral water, softened water, pure water, edible vegetable oil and other light chemical mediums.

The main material of pump is stainless steel, which is suitable for slightly aggressive liquids.

Motor's Selection

Full-enclosed and ventilating two-pole standard motor

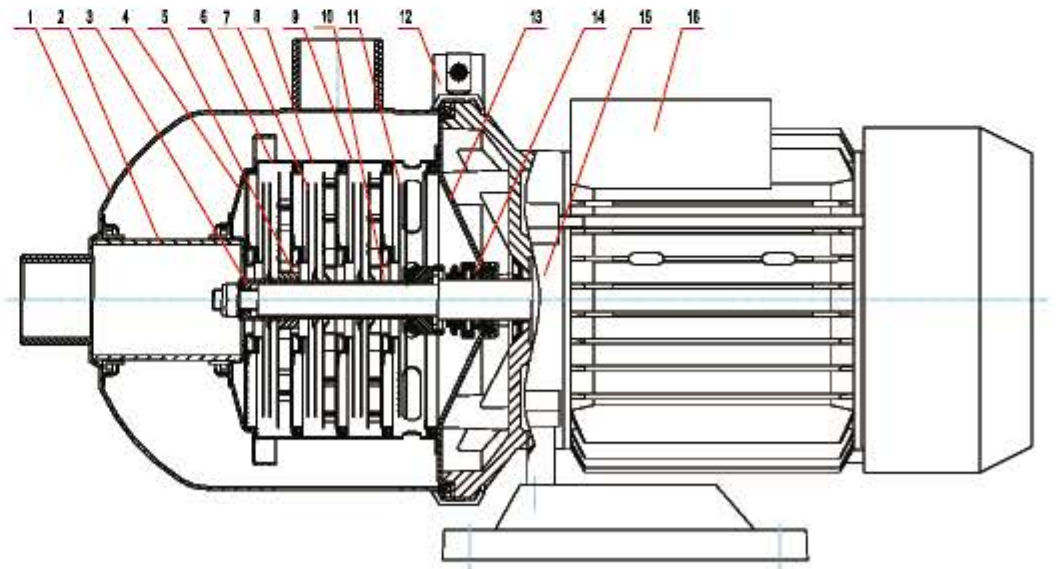
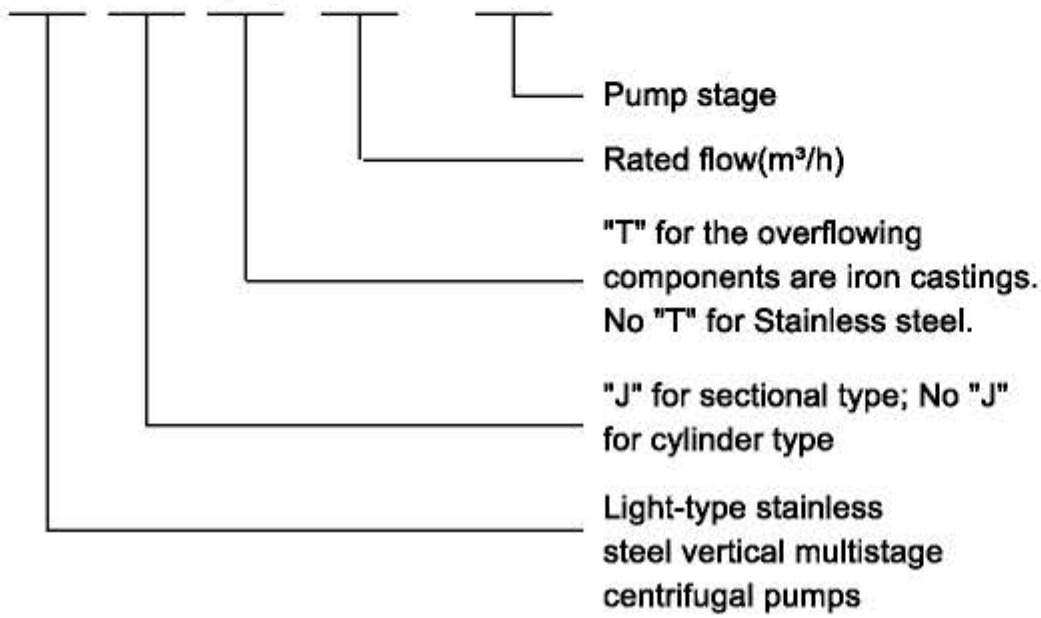
Protection class: IP55

Insulation class: F

Standard voltage (50Hz): Single phase 220V Three phase:380V

Model Instructions

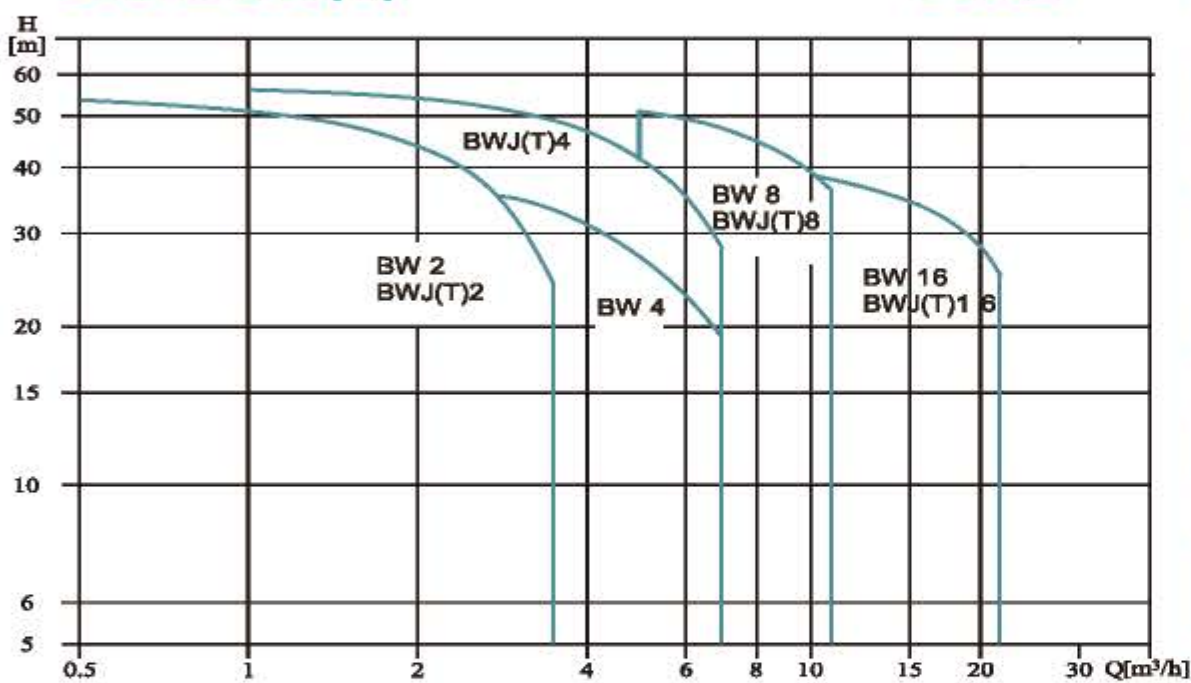
BW J (T) 8 - 3



Performance Curve

BW/BWJ(T)

50Hz



No.		
1	Pressure-resistant components	Stainless steel
2	Adapting pipe	Stainless steel
3	Lining	Stainless steel
4	Platen component	Stainless steel
5	Bearing	Hard alloy
6	Inlet fluid director	Stainless steel
7	Impeller	Stainless steel
8	Fluid director with bearings	Stainless steel
9	Fluid director	Stainless steel
10	Round bush	Stainless steel
11	Outlet fluid director	Stainless steel
12	Hooping component	Stainless steel
13	Front cover component	Stainless steel
14	Mechanical seal	Hard alloy - Fluorine rubber
15	Base	HT200
16	Motor	Horizontal motor (lengthening shaft)